

24SI

Delco Remy 24SI Heavy Duty Alternator - 160 Amps 12V / 70 Amps 24V

The 24SI brush style alternators are designed with dual internal fans which provide maximum cooling technology, improves the operating efficiency and durability of the unit.



24SI Hinge Mount



24SI PAD Mount

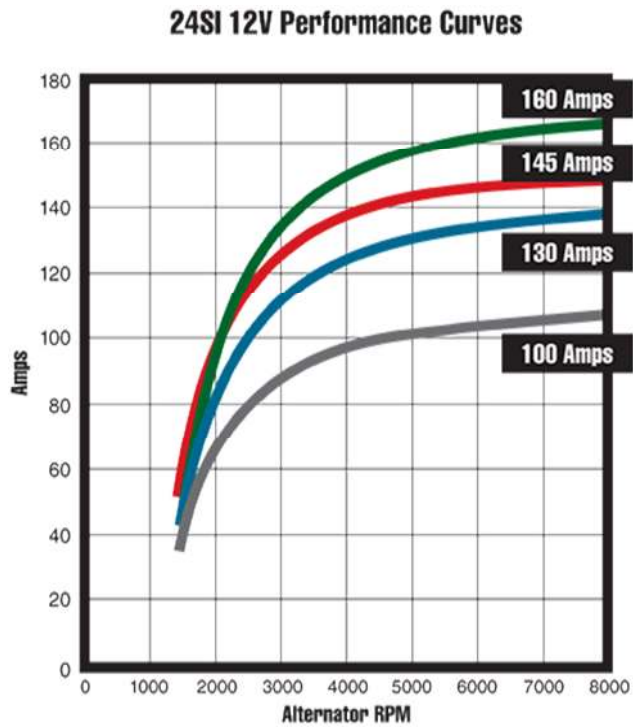
Features

- Built-in protection from water and other contaminants with dual spacers and slingers
- Dual internal fans withstand higher engine temperatures
- Easy installation with one-wire connection

Specifications

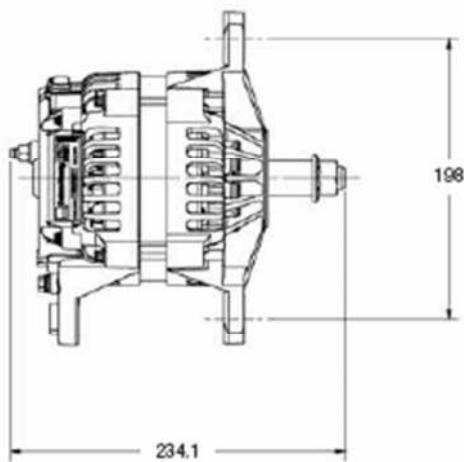
- Performance Output: 160 Amps – 12 Volts / 70 Amps – 24 Volts
- Maximum Speed: 10,000 RPM Continuous / 12,000 RPM Intermittent
- Rotation: Clockwise
- Temperature Limits: Low -40° F (-40°C) High 221° F (105°C)
- Polarity: Negative Ground
- Mounting: SAE J180 standard, PAD mount

Performance Curve



Dimensions

SAE J180 Mount



Pad Mount

